



HAY GRAZER

ITEM #168830

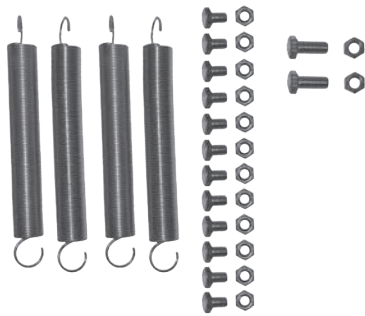
Component Parts:

Includes

- (4) springs
 - (12) bolts – 10mm x 25mm long
 - (12) lock nuts – 10mm
 - (2) bolts – 12mm x 30mm long
 - (2) standard nuts – 12mm
 - (2) side panels
 - (1) front panel
 - (1) back panel
 - (1) perforated bottom plate
- (1) feed trough grate
 - (2) corners
 - (8) self-tapping screws
 - (2) mounting brackets
 - (2) thumbscrews

Hand Tools Needed

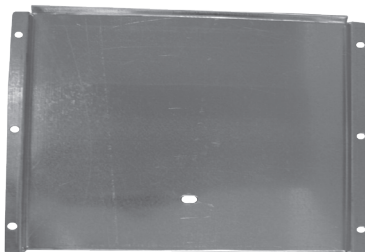
- Wrench
- Needle Nose Pliers
- Drill



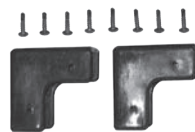
Hardware



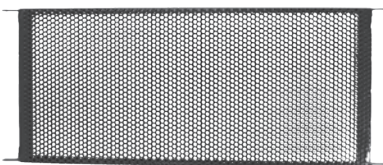
2- Side Panels



Front and Back Panels



Corners



Perforated Bottom Panel



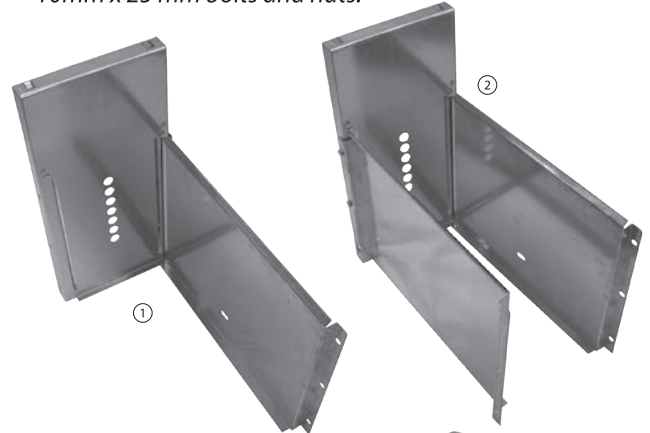
Mounting Brackets



Feed Trough Grate

Assembly & Installation Instructions:

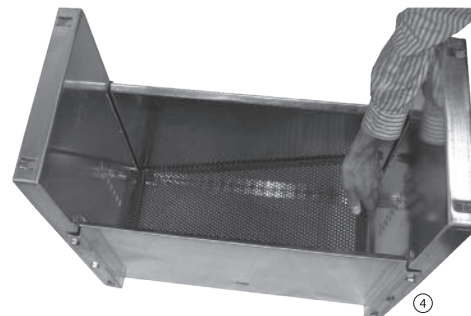
1. Loosely fasten front panel to side panel with three 10mm x 25 mm bolts and nuts.
2. Loosely fasten back panel to side panel with three 10mm x 25 mm bolts and nuts.



3. Fasten other side to front and back panels with the 6 remaining 10mm x 25mm bolts and nuts.



4. Place perforated bottom plate into slots at the bottom of hay grazer.



5. Fasten 12mm x 30mm bolt and nut through side just above back panel. Repeat on second side panel.



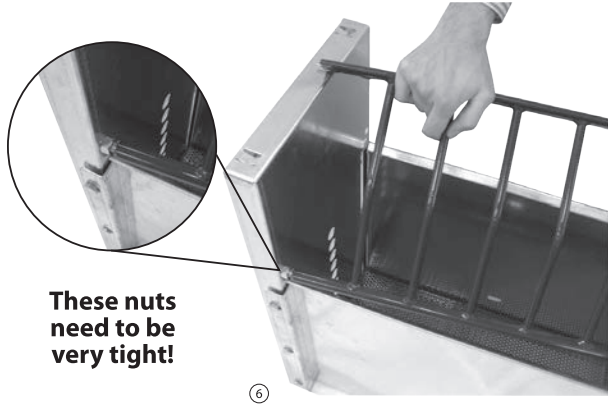


HAY GRAZER

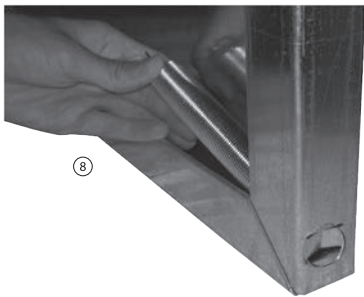
ITEM #168830

Assembly & Installation Instructions:

- 6. Slip end of feed trough grate onto bolt. Repeat on second side panel and tighten all bolts previously fastened.



- 7. Lay hay grazer on its back. Push perforated panel up toward feed trough grate.



- 8. Hook one end of spring through top cutout hole on side panel. *A needle nose pliers may be helpful to assist in this step.

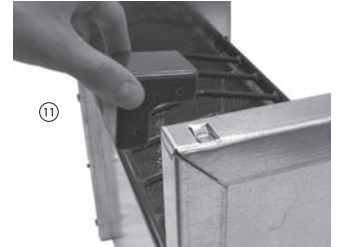
- 9. Attach other end of spring to hole at the end of the perforated panel.



- 10. Follow steps 8 and 9 until all 4 springs are attached.

Assembly & Installation Instructions:

- 11. Bring hay grazer to upright position. Place the corner over front outer edge of the hay grazer.



- 12. Press corner into place and secure, using the self-tapping screws and a drill.



Your Hay Grazer is now assembled.

Mounting The Grazer to Wooden Wall:

- 1. Set the hay grazer against the wall you intend to mount it on. Place the mounting bracket on each side of the unit, (lower than the feed trough grate) and mark the position for the lag screw holes. Drill the holes.



- 2. Put brackets in place and screw lag screws (not included) into the wall. Drop the hay grazer down into place. Install thumbscrew into tapped holes of brackets.



- 3. Tighten thumbscrews to secure feeder.