



HEATED PET BOWL

Item # 90

Specifications

25 Watt, 120V AC

Important

To insure safety for both you and your animals It is essential that you read and follow the Instructions carefully.

Caution

Have a qualified electrician install a properly grounded, receptacle outlet, acceptable for outdoor use and protected from snow and rain, immediately adjacent to the location where the heater will be used, (2) route the supply cord and locate the heater so as to be protected from damage by animals, (3) do not use extension cord, (4) Inspect cord before using, 5) unplug heater at receptacle outlet when not in use. (6) store unit Indoors after winter season and (7) to ensure continued protection against shock hazard, connect to properly grounded outlets only. Use ground fault interrupter in circuit.

Ground Fault Circuit Interrupter

You should have a Ground Fault Circuit Interrupter (GFCI) installed in the circuit. This is a very sensitive device that cuts off the electrical current if there is any leakage of electricity in your water container. This device may be obtained from any electrician or hardware store.

Protection From Animals

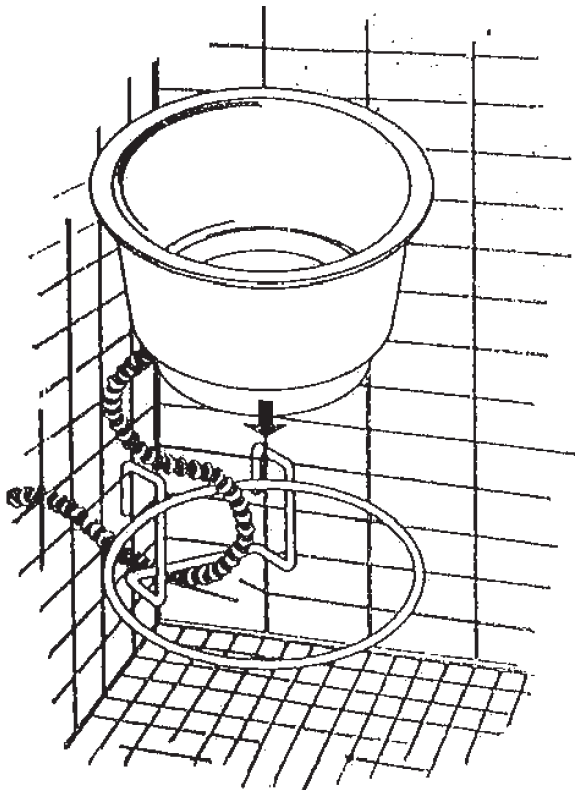
If you feel your animals are capable of chewing or penetrating the power cord then it's your responsibility to install this heater so the animal will not be able to chew the power cord. You may accomplish this by running the cord through a piece of pipe or conduit.

NEVER ALLOW MOISTURE TO PENETRATE YOUR ELECTRICAL CONNECTION.

If you must use an extension cord make sure the electrical connection stays above the snow or damp ground. Always wrap several layers of electrical tape tightly around your electrical connection. If your moisture seal is not done properly there will be a danger to both you and to others - CONTACT AN ELECTRICIAN TO MAKE SURE YOUR ELECTRICAL CONNECTIONS ARE SAFE FROM MOISTURE.

Hutch Or Cage Installation

Cage Installation Install hutch bracket in corner of cage. This will help protect the power cord from animals. You might have to bend or cut one of the cage wires in order to route power cord outside of cage. The power cord must exit the cage directly behind the dish. This will help keep the power cord away from animals.



Wooden Surface Installation You may also mount hutch bracket on a wooden surface. Use two "U-shaped" nails or staples as shown in diagram below.

